

# Mako G

## G-030



- Latest CMOS sensor
- Piecewise Linear HDR feature
- High Frame rate
- Ultra-compact (60.5 × 29 × 29 mm)

## Description

### GigE camera with CMOSIS CMV300 sensor

Mako G-030 is an industrial GigE camera with CMOSIS CMV300 sensor. Mako cameras have the same compact form factor and the same mounting positions as many analog cameras. All models include PoE, three optocoupled outputs, and a 64 MB image buffer. The image quality profits from the precisely aligned sensors.

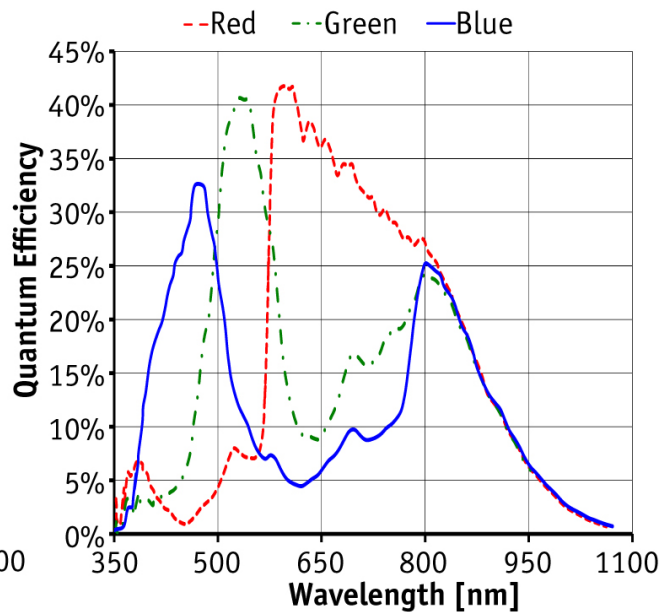
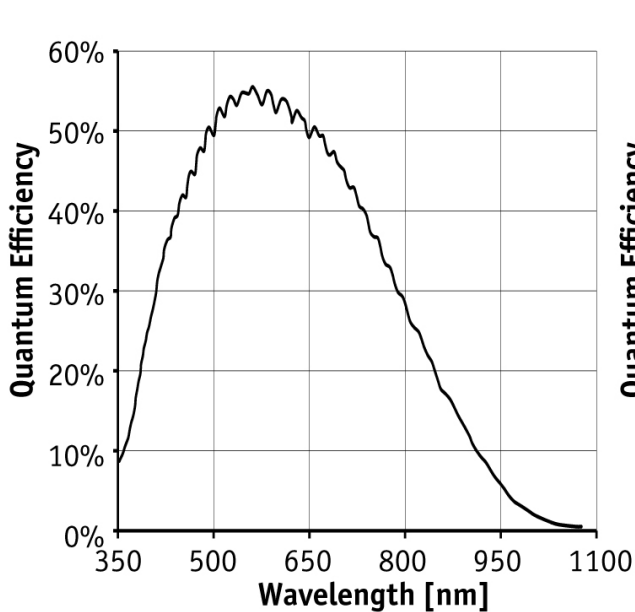
#### Options

- Various IR cut/pass filters, protection glass
- White medical housing

## Specifications

Mako G	G-030
Interface	IEEE 802.3 1000BASE-T, IEEE 802.3af (PoE)
Resolution	644 × 484
Sensor	CMOSIS CMV300
Sensor type	CMOS Progressive
Sensor size	Type 1/3
Cell size	7.4 μm
Lens mount	C/CS-Mount
Max frame rate at full resolution	309 fps
ADC	12 bit
On-board FIFO	64
	<b>Output</b>
Bit depth	8/12 bit

Mako G	G-030
Mono modes	Mono8, Mono12, Mono12Packed
Color modes YUV	YUV411Packed, YUV422Packed, YUV444Packed
Color modes RGB	RGB8Packed, BGR8Packed
Raw modes	BayerRG8, BayerRG12Packed, BayerRG12
<b>General purpose inputs/outputs (GPIOs)</b>	
TTL I/Os	
Opto-isolated I/Os	1 input, 3 outputs
<b>Operating conditions/dimensions</b>	
Operating temperature	+5°C to +45°C (housing temperature)
Power requirements (DC)	PoE /12 V - 24 V
Power consumption (@12 V)	2.3 W (PoE) / 2.1 W (non-PoE)
Mass	80 g
Body dimensions (L × W × H in mm)	60.5 × 29 × 29 mm, incl. connectors
Regulations	CE, FCC Class B, RoHS



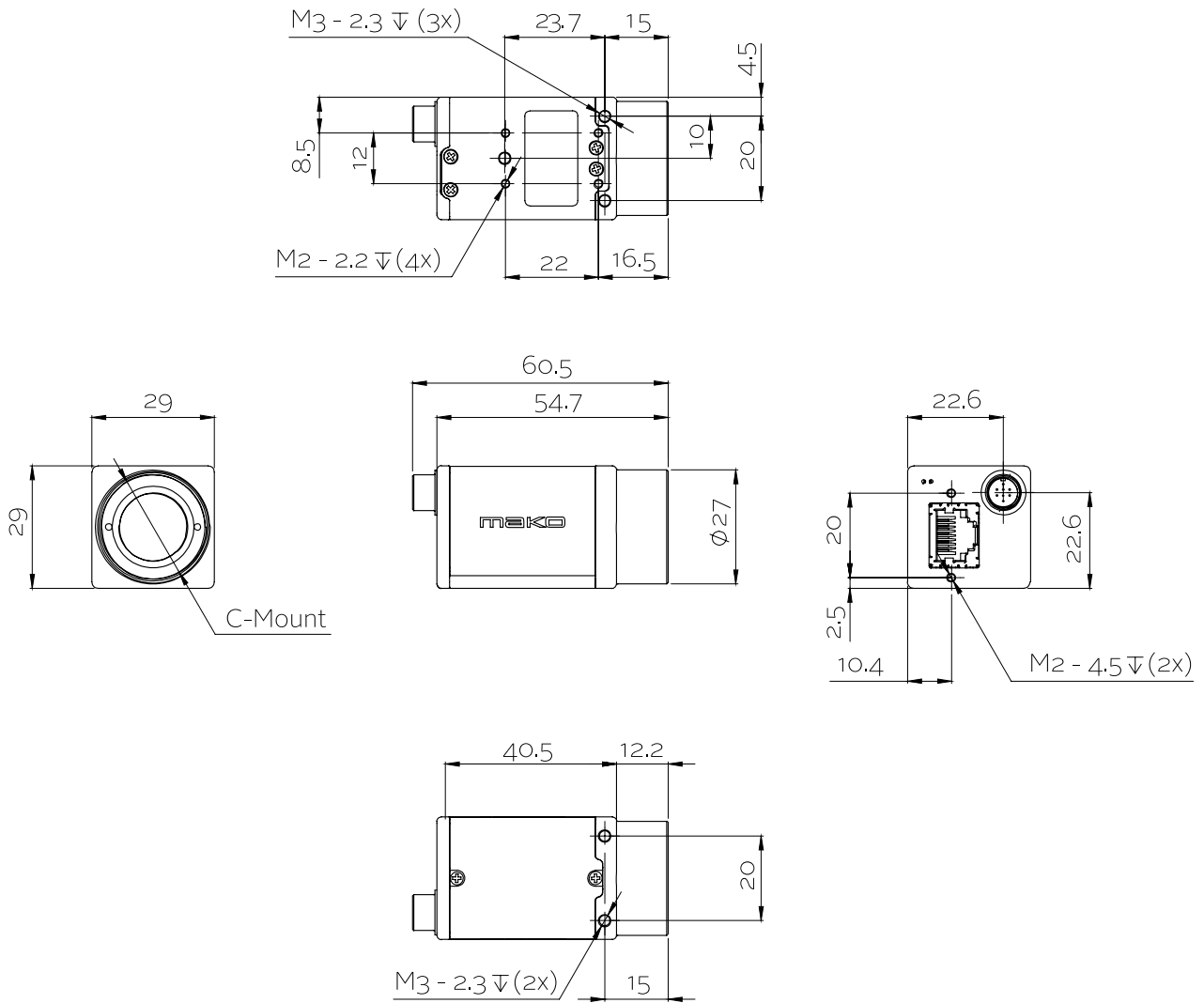
## Features

- Camera temperature monitoring
- Piecewise Linear HDR
- Pixel defect masking
- ROI, separate ROI for auto features
- Decimation
- Auto gain (manual gain control: 0 to 26 dB)



- Auto exposure (manual exposure control: 83  $\mu$ s to 2 s)
- Auto white balance
- LUTs (look-up tables)
- Gamma
- Hue, saturation, color correction
- ReverseX/Y
- StreamBytesPerSecond (easy bandwidth control)
- Stream hold
- Sync out modes: Trigger ready, input, exposing, readout, imaging, strobe, GPO
- Event channel
- Chunk data
- Storable user sets

## Technical drawing





## Applications

The Mako is an inexpensive industrial GigE camera with a compact form factor. It is suitable for all typical machine vision applications:

- Robotics
- Quality control
- Inspection, surveillance
- Industrial imaging
- Machine vision
- Logistics